



Vertical lube oil pumps built to your specifications.

Our vertical lube oil pumps are built to customers' stringent specifications. These highly reliable pumps require low maintenance and offer low total life cycle costs. Hydraulic performance extends to 2,400 GPM and 1,350 ft. TDH, with operation at speeds of up to 3,550 RPM. The VLO is designed to accept AC or DC motors.

The basic VLO designs consist of a pump wet end, column, bearing frame, motor mounting bracket and top plate. Multistage models include diffusers for efficiency and minimization of radial loads. All models feature bearings above the liquid surface and full compatibility with NEMA standard 'C' face motors. Options include oversized discharge piping, and fabricated or cast suction strainers.

All lube oil pumps are thoroughly tested simulating the customer's conditions of operations in our in-house test lab, which is equipped for water, oil and high-temperature testing.



VLO



Approval Certification Number 95-370



European Community Certificate



STANDARD MATERIALS

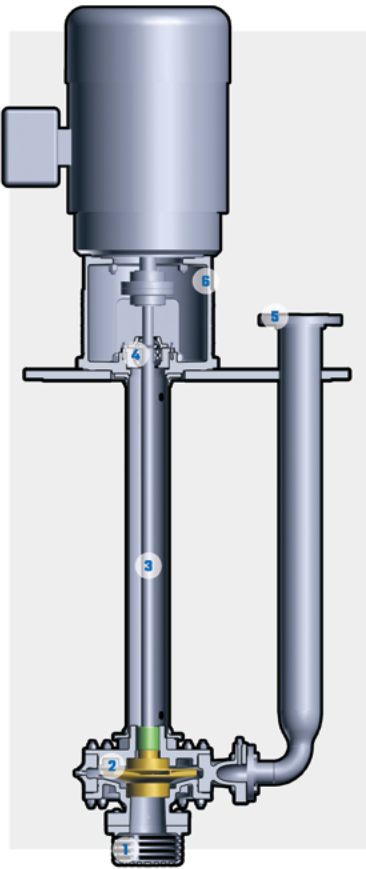
Casing	Cast Iron
Impeller	Cast Iron, Bronze or SS
Piping	Carbon Steel or 316 SS
Throttle Bushing	Bronze
Top Plate	Carbon Steel or 316 SS
Shaft	Carbon Steel or 316 SS
Shaft Sleeve	Bronze

Other materials of construction available upon request.

MECHANICAL DATA

Input Power	Up to 200 HP
Bearing Lubricant	Grease or Oil
Coating	To Customer Specifications
Discharge Connection	Class 150 ANSI Flange or Class 300 ANSI Flange





1 STRAINER

Standard fabricated or optional cast alloy strainer

2 IMPELLER

High-efficiency design in cast iron, bronze or stainless steel

3 SHAFTS

Carbon steel or 316 stainless steel

4 BEARINGS

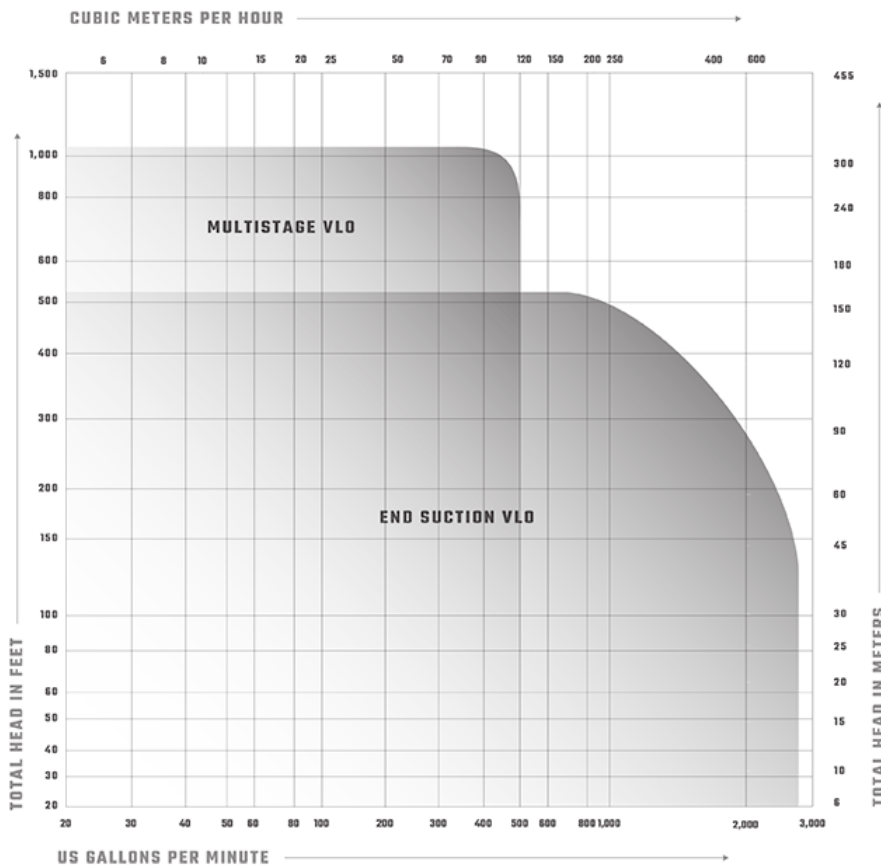
Grease or oil lubricated ball bearings located above the tank for easy maintenance

5 CONNECTIONS

ANSI discharge flanges for all sizes

6 MOTOR BRACKET

Heavy duty, cast iron motor bracket supports bearings above the tank surface, isolating them from contamination



HYDRAULICS

- Flows to 2,400 US GPM (545 m³/hr)
- Heads to 1,350 Feet (411 m)
- Efficiencies to 85%
- Power to 200 HP (149 KW)
- Speeds up to 3,550 RPM

APPLICATIONS

- Industrial
- Power Generation
- Lube Oil Supply for Rotating Equipment

Contact us

2415 Park Avenue
Muscatine, Iowa 52761
USA

(563) 263-3410
sales@carverpump.com
www.carverpump.com